

# ASK



## TYPE



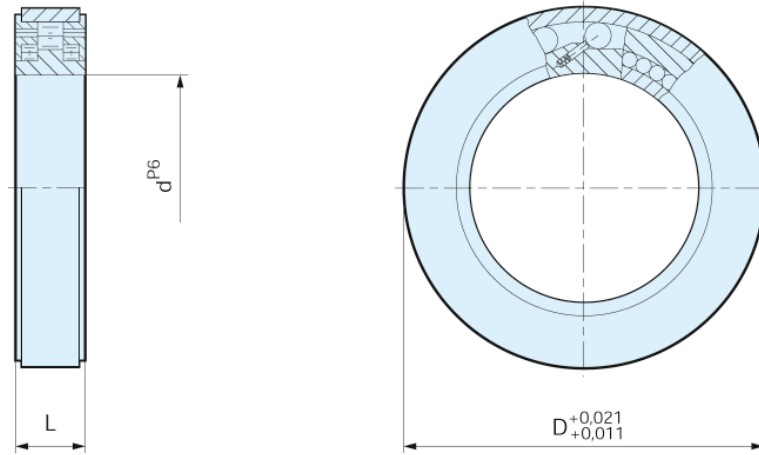
**T**ype ASK is a roller type freewheel bearing supported by two rows of roller bearings. It is a self-contained dust protected unit, delivered grease lubricated.

Nominal outside dimensions are the same as a 60.. series bearing. Torque transmission must be ensured by a press fit on both the inner and outer race. Because of this press fit, the standard radial clearance is C4. The interference tolerances are on the freewheel dimensions,

allowing a direct mounting in a standard series 60.. bearing location: Shaft tolerance should be h6 or j6 The outer race should be pressed into a rigid housing to K6 tolerance.

Radial bearing load capacities are given in the table. Type ASK freewheels can not accept axial loading. In cases of such loads, thrust bearings must be provided.

ASK



Type	Size	Bearing series					Bearing loads		Weight [kg]	Drag torque TR [Ncm]
			$T_{KN}^{1)}$ [Nm]	$n_{max}$ [min <sup>-1</sup> ]	D [mm]	L [mm]	dynamic C [kN]	static C <sub>0</sub> [kN]		
ASK	d <sup>P6</sup> [mm]									
	40	6008	72	3500	68	15	16	20,6	0,25	15
	50	6010	125	2200	80	16	19,6	23,5	0,34	20
	60	6012	250	1800	95	18	25,3	35,1	0,5	25

NOTES

1)  $T_{max} = 2 \times T_{KN}$

» Refer to Selection page 10 to 13

» Refer to mounting and maintenance instructions page 16 to 19

MOUNTING EXAMPLE

