

ASNU

TYPE



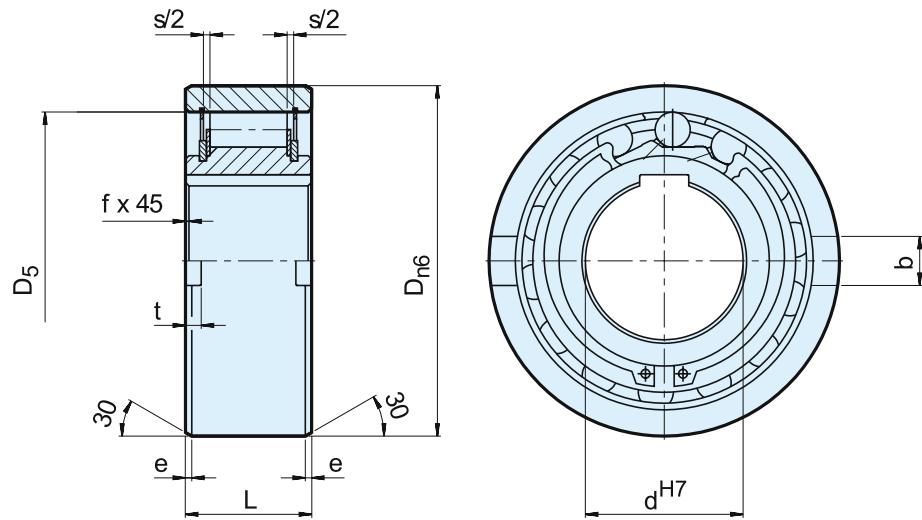
Type ASNU is a roller type freewheel non-bearing supported. Bearings are required to support axial and radial loads. Lubrication and sealing must also be provided by the installation. Nominal outer diameter is the same as a series 63.. ball bearing.

A typical arrangement is to install this type alongside a bearing within the same location tolerances, as shown on the following page. The inner race is keyed to the shaft.

The outer race has positive n6 tolerance, to give a press fit in a H7 housing. Additional side notches in the outer race provide for positive torque transmission.

If the housing is to K6 tolerance, use of the notches is not necessary, but the housing must be strong enough to not expand after assembly. This design can accept an axial misalignment of inner and outer race of $\pm S/2$.

ASNU



Type	Size	Overrunning Speeds				D _{n6} [mm]	L [mm]	D ₅ [mm]	b [mm]	t [mm]	s [mm]	e [mm]	f [mm]	Weight [kg]	Drag torque T _R [Ncm]
		T _{KN} ¹⁾ [Nm]	n _{imax} ²⁾ [min ⁻¹]	n _{amax} ³⁾ [min ⁻¹]											
ASNU	8	12	3300	5000	35	13	28	4	1.4	2.4	0.6	0.3	0.07	1.6	
	12	12	3300	5000	35	13	28	4	1.4	2.4	0.6	0.3	0.06	1.6	
	15	30	2400	3600	42	18	37	5	1.8	2.4	0.8	0.3	0.11	1.9	
	17	49	2300	3400	47	19	40	5	2.3	2.4	1.2	0.8	0.15	1.9	
	20	78	2100	3100	52	21	42	6	2.3	2.4	1.2	0.8	0.19	1.9	
	25	125	1700	2600	62	24	51	8	2.8	2.4	1.2	0.8	0.38	5.6	
	30	255	1400	2200	72	27	60	10	2.5	2.4	1.8	1	0.54	14	
	35	383	1200	1900	80	31	70	12	3.5	2.4	1.8	1	0.74	16	
	40	538	1100	1700	90	33	78	12	4.1	2.5	1.8	1	0.92	38	
	45	780	1000	1600	100	36	85	14	4.6	2.5	1.8	1	1.31	43	
	50	1013	850	1350	110	40	92	14	5.6	2.5	1.8	1	1.74	55	
	60	1825	750	1050	130	46	110	18	5.5	3.6	2.6	1.5	2.77	110	
	70	2300	600	950	150	51	125	20	6.9	3.6	2.6	1.5	4.16	140	
	80	3275	550	850	170	58	140	20	7.5	3.6	2.6	1.5	6.09	180	
	90	5325	500	750	190	64	160	20	8.0	3.6	2.6	2	8.2	230	
	100	7250	450	680	215	73	175	24	8.5	3.6	2.6	2	12.6	380	
	120	13500	370	550	260	86	215	28	10	3.6	2.6	2.5	22	650	
	150	26625	300	460	320	108	260	32	12	3.6	3.6	2.5	42	1000	
200	44500	230	350	420	138	350	45	16	7.6	3.6	3	93	2000		

NOTES

ASNU8-12, ASNU200 keyway to DIN 6885. 1.
other sizes to DIN 6885.3

1) $T_{max} = 2 \times T_{KN}$
» Refer to Selection page 10 to 13

2) Inner race overruns

3) Outer race overruns

» Refer to mounting and maintenance instructions
page 16 to 19

MOUNTING EXAMPLE